

TECHNICAL SPECIFICATION

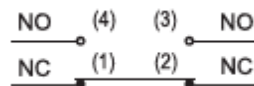
All-purpose limit switch – series CSA-xxx

Description:

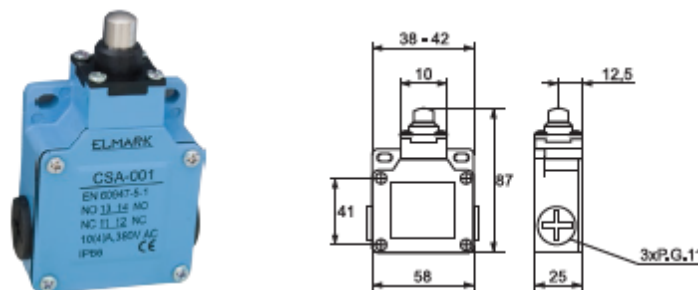
The all-purpose limit switches are devices used in automatic systems as a control element. They are used for setting of gearing limits. They are mounted on transport lines, conveyors and other linear progressive motion machines. They feature a vibration-resistant metal shell.

Technical data:

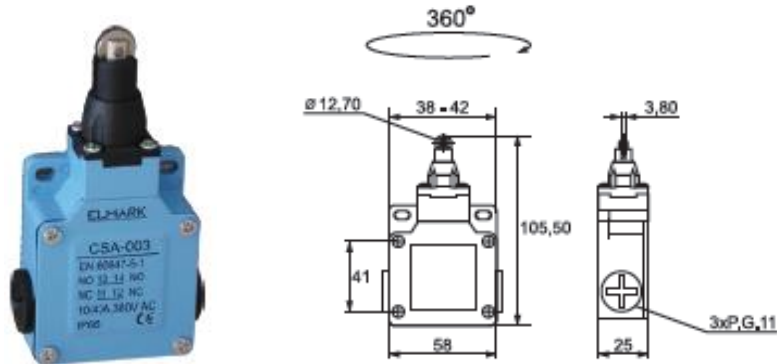
- Dielectric strength: 1000V AC
- Insulating resistance: 100mΩ
- Electrical endurance (number of cycles): 500 000 with active load
- Mechanical endurance (number of cycles): 1 000 000
- Gearing speed: 5mm/s to 0.5 m/s
- Rated voltage: 230V
- Rated current: up to 10A
- IP code: IP66
- Cable input: cable glandPG11
- Section of power supply conductor: up to 2mm²
- Fastening strength of terminals: 6-8kgf/cm



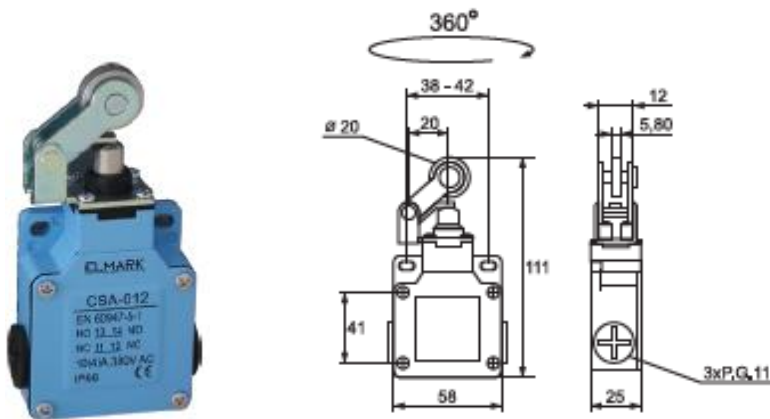
Variants and dimensions:



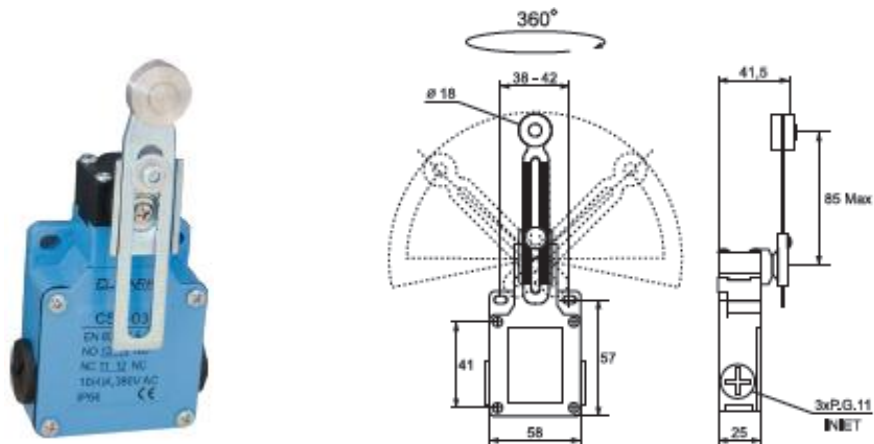
Type	Type of the head	Power of starting (g)	Power of release (g)	Switching position	General movement	Rated current	Packing / Box (pcs)	Catalogue number
CSA-001	metal cylinder	800	400	2.0mm	5.8mm	10A-active 4A-inductive	10 / 90	46A001



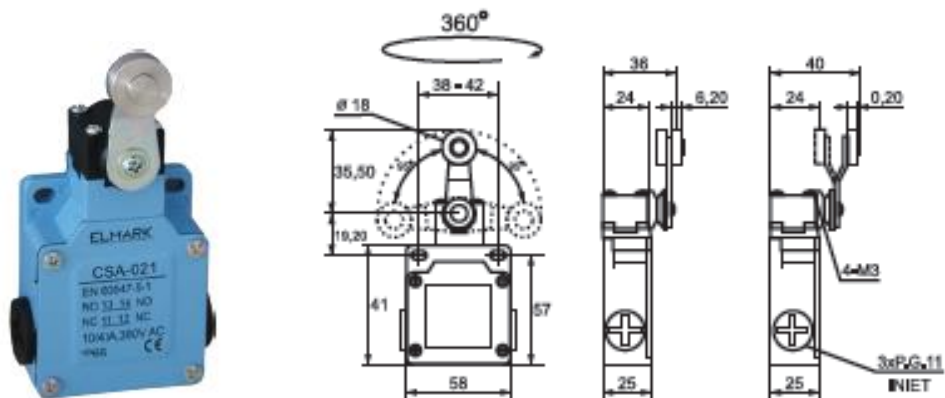
Type	Type of the head	Power of starting (g)	Power of release (g)	Switching position	General movement	Rated current	Packing / Box (pcs)	Catalogue number
CSA-003	Cylinder with metal roll	800	400	2.00mm	5.8mm	10A-active 4A-inductive	10 / 90	46A003



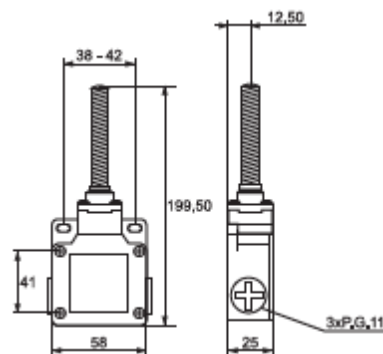
Type	Type of the head	Power of starting (g)	Power of release (g)	Switching position	General movement	Rated current	Packing / Box (pcs)	Catalogue number
CSA-012	Horizontal with metal roll	800	400	2.0mm	5.8mm	10A-active 4A-inductive	10 / 90	46A012



Type	Type of the head	Power of starting (g)	Power of release (g)	Switching position	General movement	Rated current	Packing / Box (pcs)	Catalogue number
CSA-031	Adjustable lever with metal roll	400	100	22.5°	95°	10A-active 4A-inductive	10 / 80	46A031



Type	Type of the head	Power of starting (g)	Power of release (g)	Switching position	General movement	Rated current	Packing / Box (pcs)	Catalogue number
CSA-021	lever with metal roll	150	50	22.5°	95°	10A-active 4A-inductive	10 / 80	46A



Type	Type of the head	Power of starting (g)	Power of release (g)	Switching position	General movement	Rated current	Packing / Box (pcs)	Catalogue number
CSA-081	Spring lever	150	50	22.5°	50mm	10A-active 4A-inductive	10 / 80	46A081

Standards

EN 60947-1

EN 60947-5-1

